

Polypropylene "T" Line Strainers

FEATURES

- Heavy-duty glass reinforced polypropylene.
- Clean-out plug.
- 304 stainless steel reinforced screens.
- EPDM gaskets standard. FKM (viton type) available.
- 150 P.S.I. at 70°F.



3/4" And 1"



1 1/4" And 1 1/2"

SCREENS	
MESH SIZE	RIB COLOR
16 MESH	GRAY
30 MESH	YELLOW
50 MESH	RED
80 MESH	BLUE
100 MESH	GREEN

3/4" T-STRAINER W/SS SCREENS			
PART NO	DESCRIPTION	QTY	
LST075-16	3/4" x 3/4" T Strainer w/16 Mesh SS Screen	1	
LST075-30	3/4" x 3/4" T Strainer w/30 Mesh SS Screen	1	
LST075-50	3/4" x 3/4" T Strainer w/50 Mesh SS Screen	1	
LST075-80	3/4" x 3/4" T Strainer w/80 Mesh SS Screen	1	
LST075-100	3/4" x 3/4" T Strainer w/100 Mesh SS Screen	1	

1 1/4" T-STRAINER W/SS SCREENS			
PART NO	DESCRIPTION	QTY	
LST125-16	1 1/4" x 1 1/4" T Strainer w/16 Mesh SS Screen	1	
LST125-30	1 1/4" x 1 1/4" T Strainer w/30 Mesh SS Screen	1	
LST125-50	1 1/4" x 1 1/4" T Strainer w/50 Mesh SS Screen	1	
LST125-80	1 1/4" x 1 1/4" T Strainer w/80 Mesh SS Screen	1	
LST125-100	1 1/4" x 1 1/4" T Strainer w/100 Mesh SS Screen	1	

1" T-STRAINER W/SS SCREENS			
PART NO	DESCRIPTION	QTY	
LST100-16	1" x 1" T Strainer w/16 Mesh SS Screen	1	
LST100-30	1" x 1" T Strainer w/30 Mesh SS Screen	1	
LST100-50	1" x 1" T Strainer w/50 Mesh SS Screen	1	
LST100-80	1" x 1" T Strainer w/80 Mesh SS Screen	1	
LST100-100	1" x 1" T Strainer w/100 Mesh SS Screen	1	

1 1/2" T-STRAINER W/SS SCREENS			
PART NO	DESCRIPTION	QTY	
LST150-16	1 1/2" x 1 1/2" T Strainer w/16 Mesh SS Screen	1	
LST150-30	1 1/2" x 1 1/2" T Strainer w/30 Mesh SS Screen	1	
LST150-50	1 1/2" x 1 1/2" T Strainer w/50 Mesh SS Screen	1	
LST150-80	1 1/2" x 1 1/2" T Strainer w/80 Mesh SS Screen	1	
LST150-100	1 1/2" x 1 1/2" T Strainer w/100 Mesh SS Screen	1	

STANDARD MESHES & DATA (FOR GENERAL USE ONLY)

MESH	MICRONS	WIRE DIAMETER	OPENING	% OPEN AREA
16 Mesh	1190	.018	.044	50.7
30 Mesh	595	.012	.021	40.8
50 Mesh	297	.009	.011	30.3
80 Mesh	177	.0055	.007	31.4
100 Mesh	149	.0045	.005	30.3



1" 80 Mesh

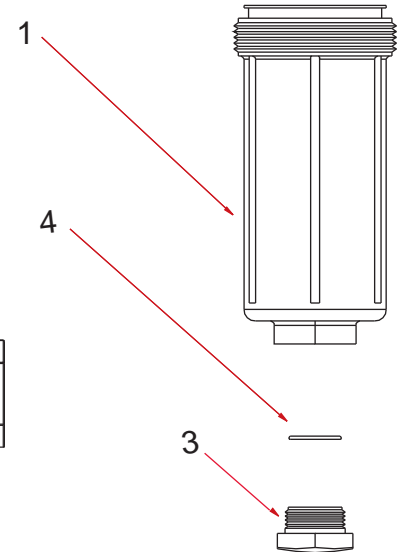
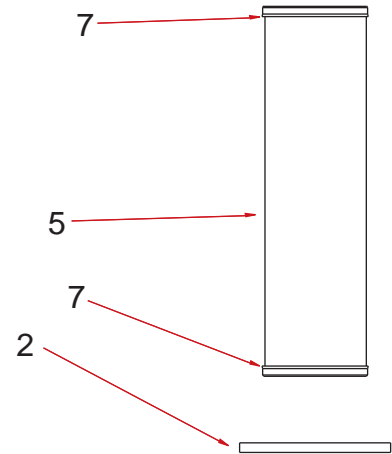
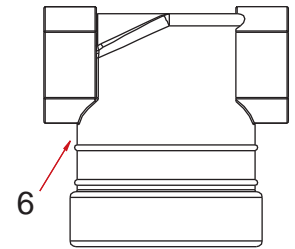
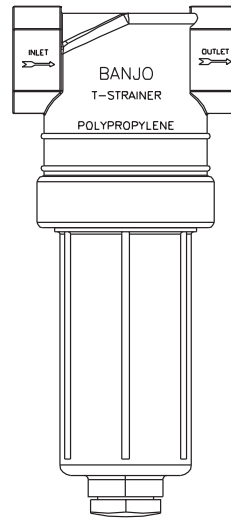


Standard Meshes & Data

Mesh	Microns	Wire Diameter	Opening	Open Area
6 Mesh	3360	0.089mm	0.335mm	62.7 %
8 Mesh	2380	0.071mm	0.246mm	60.2 %
10 Mesh	2000	0.064mm	0.191mm	56.3 %
12 Mesh	1680	0.058mm	0.152mm	51.8 %
16 Mesh	1190	0.046mm	0.112mm	50.7 %
20 Mesh	841	0.040mm	0.086mm	46.2 %
30 Mesh	595	0.031mm	0.053mm	40.8 %
40 Mesh	446	0.031mm	0.053mm	36.0 %
50 Mesh	297	0.023mm	0.028mm	30.3 %
80 Mesh	177	0.014mm	0.018mm	31.4 %
100 Mesh	149	0.011mm	0.013mm	30.3 %
120 Mesh	116	0.009mm	0.011mm	30.5 %

REPLACEMENT PARTS LST075 & LST100			
ITEM	PART NO	DESCRIPTION	QTY
1	LST100-B*	¾" & 1" Bowl	1
2	LST100-G	¾" & 1" EPDM Gasket	1
2	LST100-GV	¾" & 1" FKM (viton type) Gasket	1
3	12777	½" Clean Out Plug	1
4	UV15163	EPDM O-Ring for Clean Out Plug	1
4	UV15163V	FKM (viton type) O-Ring for Clean Out Plug	1
5	LST116	16 Mesh Screen	1
5	LST130	30 Mesh Screen	1
5	LST150	50 Mesh Screen	1
5	LST180	80 Mesh Screen	1
5	LST1100	100 Mesh Screen	1
6	LST075-H	¾" Strainer Head	1
6	LST100-H	1" Strainer Head	1
7	13778	EPDM O-Ring for Screen	1
N/S	LST075-HB	¾" Strainer Head, Bowl & Gasket	1
N/S	LST100-HB	1" Strainer Head, Bowl & Gasket	1

NOTE: Items marked with asterisk* include parts 1, 3 and 4.



REPLACEMENT PARTS LST125 & LST150			
ITEM	PART NO	DESCRIPTION	QTY
1	LST150-B*	1¼" & 1½" Bowl	1
2	LST150-G	1¼" & 1½" EPDM Gasket	1
2	LST150-GV	1¼" & 1½" FKM (viton type) Gasket	1
3	LSQ200-PL	½" Clean Out Plug	1
4	LSQ200-R	EPDM O-Ring for Clean Out Plug	1
4	LSQ200-RV	FKM (viton type) O-Ring for Clean Out Plug	1
5	LST1516	16 Mesh Screen	1
5	LST1530	30 Mesh Screen	1
5	LST1550	50 Mesh Screen	1
5	LST1580	80 Mesh Screen	1
5	LST15100	100 Mesh Screen	1
6	LST125-H	1¼" Strainer Head	1
6	LST150-H	1½" Strainer Head	1
7	LST034G	EPDM O-Ring for Screen	1
N/S	LST125-HB	1¼" Strainer Head, Bowl & Gasket	1
N/S	LST150-HB	1½" Strainer Head, Bowl & Gasket	1

NOTE: Items marked with asterisk* include parts 1, 3 and 4.

