

# 3-Way Poly Ball Valves

## FEATURES

- Stainless steel bolts.
- Precision molded in polypropylene. Polypropylene is reinforced with fiberglass for additional strength.
- Self-aligning ball moves freely against the PTFE seats for smooth operation.
- Ball is diamond turned, after molding, to make it spherically perfect, which provides precise contact between ball and seats.
- PTFE self-lubricating stem bushings and seats.
- Maximum operating pressure 100 P.S.I.
- FKM (viton type) seats.



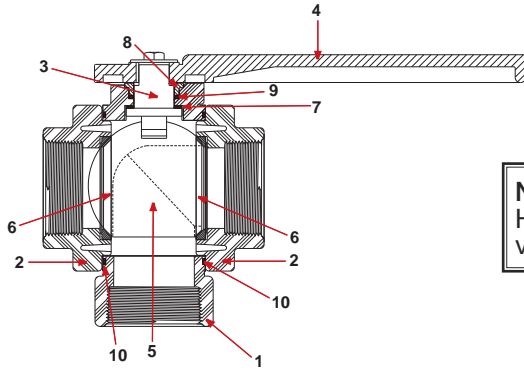
3" WAY BOTTOM LOAD VALVES						
PART NO	DESCRIPTION	MAX PSI	PIPE SIZE	OPENING THRU BALL	HANDLE TYPE	
V075BL	3/4" 3-Way Bottom Load Poly Valve	100	3/4"	1"	T	
V100BL	1" 3-Way Bottom Load Poly Valve	100	1"	1"	T	
V125BL	1 1/4" 3-Way Bottom Load Poly Valve	100	1 1/4"	1 1/2"	T	
V150BL	1 1/2" 3-Way Bottom Load Poly Valve	100	1 1/2"	1 1/2"	T	
V200BL	2" 3-Way Bottom Load Poly Valve	100	2"	2"	Straight	
VT200BL	2" 3-Way Bottom Load Poly Valve	100	2"	2"	T	

**BOTTOM LOAD:** Directional flow, right or left. Valve can be turned off to stop flow.

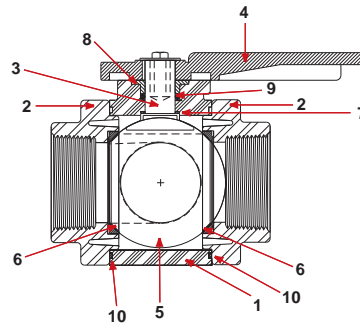


3" WAY SIDE LOAD VALVES						
PART NO	DESCRIPTION	MAX PSI	PIPE SIZE	OPENING THRU BALL	HANDLE TYPE	
V075SL	3/4" 3-Way Side Load Poly Valve	100	3/4"	1"	Straight	
V100SL	1" 3-Way Side Load Poly Valve	100	1"	1"	Straight	
VT100SL	1" 3-Way Side Load Poly Valve	100	1"	1"	T	
V125SL	1 1/4" 3-Way Side Load Poly Valve	100	1 1/4"	1 1/2"	T	
V150SL	1 1/2" 3-Way Side Load Poly Valve	100	1 1/2"	1 1/2"	T	
V200SL	2" 3-Way Side Load Poly Valve	100	2"	2"	Straight	
VT200SL	2" 3-Way Side Load Poly Valve	100	2"	2"	T	

**SIDE LOAD:** Directional flow, right or left. Valve cannot be turned off.



**NOTE:**  
Handle style will vary from picture.



## Bottom Load 3-Way Poly Ball Valves

REPLACEMENT PARTS V075BL-V100BL				
ITEM	PART NO	DESCRIPTION	QTY	
1	V07354B	3/4" Valve Body	1	
1	V10354B	1" Valve Body	1	
2	V07357	3/4" End Plate	2	
2	V10257	1" End Plate	2	
3	V10151A	Stem	1	
4	V10353TB	Handle -T	1	
5	V10355B	Ball	1	
6	V10258	Seats	2	
7	V10060	Thrust Bushing	1	
8	V10159	Upper Stem Bushing	1	
9	V10163	FKM (viton type) Stem O-Ring	1	
10	V10264	FKM (viton type) Body O-Ring	2	

## Side Load 3-Way Poly Ball Valves

REPLACEMENT PARTS V075SL-V100SL-VT100SL				
ITEM	PART NO	DESCRIPTION	QTY	
1	V07354S	3/4" Valve Body	1	
1	V10354S	1" Valve Body	1	
2	V07357	3/4" End Plate	2	
2	V10257	1" End Plate	2	
3	V10151A	Stem	1	
4	V10153A	Handle -Straight	1	
4	V10353TS	Handle-T	1	
5	V10355S	Ball	1	
6	V10258	Seats	2	
7	V10060	Thrust Bushing	1	
8	V10159	Upper Stem Bushing	1	
9	V10163	FKM (viton type) Stem O-Ring	1	
10	V10264	FKM (viton type) Body O-Ring	2	

REPLACEMENT PARTS V125BL-V150BL				
ITEM	PART NO	DESCRIPTION	QTY	
1	V20344B	1 1/4" Valve Body	1	
1	V20354B	1 1/2" Valve Body	1	
2	V20267	1 1/4" End Plate	2	
2	V20257	1 1/2" End Plate	2	
3	V20151M	Stem	1	
4	V20353TB	Handle -T	1	
5	V20355B	Ball	1	
6	VE20258A	Seats	2	
7	V20060	Thrust Bushing	1	
8	V20159	Upper Stem Bushing	1	
9	V20163	FKM (viton type) Stem O-Ring	1	
10	V20264	FKM (viton type) Body O-Ring	2	

REPLACEMENT PARTS V125SL-V150SL				
ITEM	PART NO	DESCRIPTION	QTY	
1	V20344S	1 1/4" Valve Body	1	
1	V20354S	1 1/2" Valve Body	1	
2	V20267	1 1/4" End Plate	2	
2	V20257	1 1/2" End Plate	2	
3	V20151M	Stem	1	
4	V20353TB	Handle -T	1	
4	V20153	Handle-Straight	1	
5	V20355S	Ball	1	
6	VE20258A	Seats	2	
7	V20060	Thrust Bushing	1	
8	V20159	Upper Stem Bushing	1	
9	V20163	FKM (viton type) Stem O-Ring	1	
10	V20264	FKM (viton type) Body O-Ring	2	

REPLACEMENT PARTS V200BL-VT200BL				
ITEM	PART NO	DESCRIPTION	QTY	
1	V25354B	2" Valve Body	1	
2	V25356	2" End Plate	2	
3	V25151B	Stem	1	
4	V25353B	Handle-Straight	1	
4	V25353TB	Handle -T	1	
5	V25355B	Ball	1	
6	V25258	Seats	2	
7	V25060	Thrust Bushing	1	
8	V25160	Upper Stem Bushing	1	
9	V25163	FKM (viton type) Stem O-Ring	1	
10	V25264	FKM (viton type) Body O-Ring	2	

REPLACEMENT PARTS V200SL				
ITEM	PART NO	DESCRIPTION	QTY	
1	V25354S	2" Valve Body	1	
2	V25356	2" End Plate	2	
3	V25151B	Stem	1	
4	V25153SH	Handle-Straight	1	
4	V25353TS	Handle -T	1	
5	V25355S	Ball	1	
6	V25258	Seats	2	
7	V25060	Thrust Bushing	1	
8	V25160	Upper Stem Bushing	1	
9	V25163	FKM (viton type) Stem O-Ring	1	
10	V25264	FKM (viton type) Body O-Ring	2	