



# JS PUMP



JST08

JST37

JST75



JS100

JS400

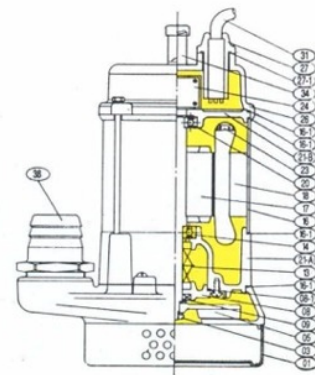
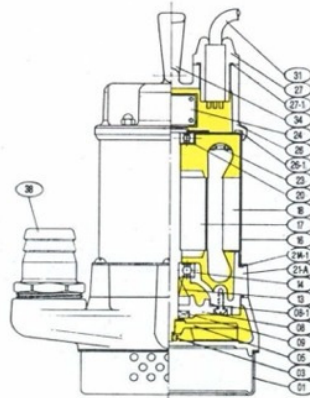
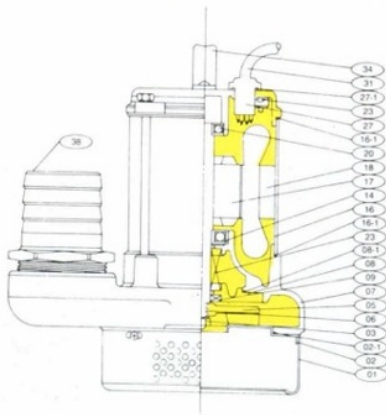
JS750

3 Phase-JST Series

Single Phase

## PARTS LIST

No.	Description	No.	Description
01	Strainer	20	Bearing (Upper)
02	Suction Cover	21	Motor Upper Plate
02-1	O-Ring	23	Overload Protector
05	Impeller	24	Condenser (Run)
07	Pump Housing	24-1	Condenser (Start)
08	Cover of Oil Chamber	26	Upper Cover
08-1	O-Ring	26-1	O-Ring
09	Lip Seal	27	Cable Gland
13	Mechanical Seal	27-1	Gasket
14	Bearing (Lower)	31	Cable
16	Motor Case	34	Handle
16-1	O-Ring	38	Discharge Outlet
17	Rotor		
18	Stator		
19	Centrifugal Switch		
19-1	Centrifugal Plate		



# SUBMERSIBLE PUMP. MULTIPURPOSE

Model JS & JST series for various applications, for drainage slightly waste water for portable use or permanent installation equipped with level controller for automatic operation. (For instance JS-400A)

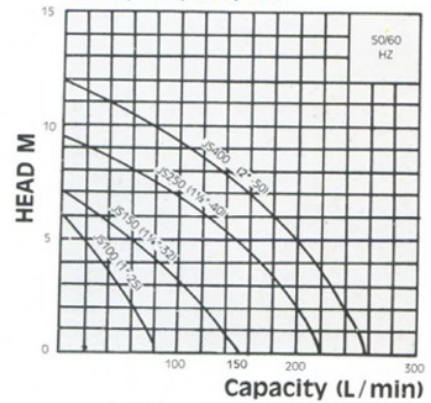
Suitable for the dewatering of cellars, garages, basins pools, ditches, pits, for water transfer, gardening, horticulture, civil engineering, agriculture purposes.

- Motor with built in overload protector.
- Shaft with heat treatment for long lasting continuous operation.
- Mechanical seals in oil chamber with extra external lip seal.
- Rugged & Durable construction Stainless Steel & Cast Iron.
- Potted Leads: Sealed with epoxy resin.
- Extra Service:

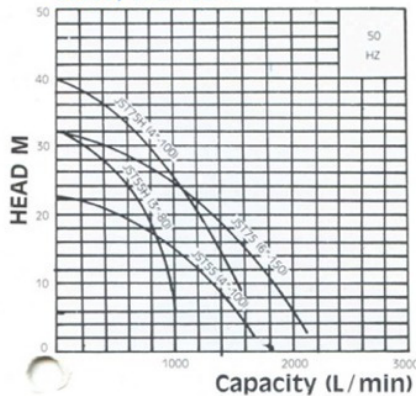
3 Function Selector Switch-for control of 'MANUAL-OFF-AUTO' (For Instance JS-400MA)

ALL KINDS OF PUMP AVAILABLE WITH FLOAT AND CONTROL PANEL.

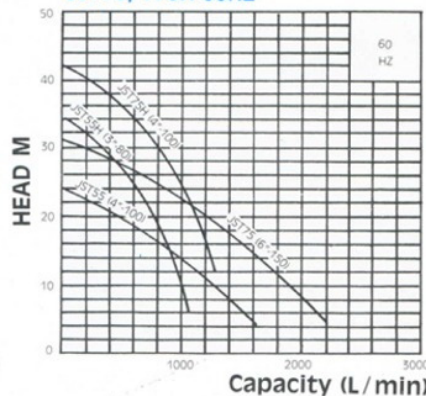
JS100, 150, 250, 400



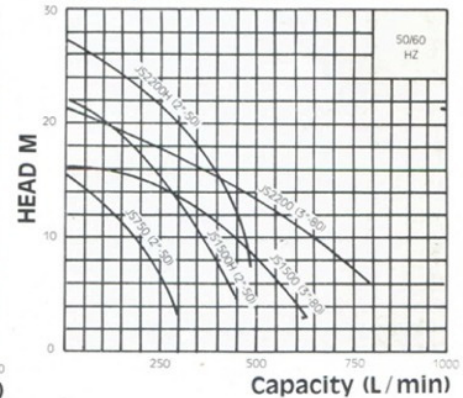
JST55, T55H-50HZ  
JST75, T75H-50HZ



JST55, T55H-60HZ  
JST75, T75H-60HZ



JS750, 1500(H), 2200(H)



Pump Type	Outlet Diameter Inch (mm)	Output Watts	Voltage 1 Phase 50 or 60Hz	Continuous		Maximum		Cable c x mm <sup>2</sup> x m	Auto	Weight KG
				Head m.	Capacity L./min	Total Head m.	Max Capacity L./min			
JS-100	1\" (25)	100	100V	2	60	6	85	3 x 0.75 x 3.5	JS-100A	5
JS-150	1 1/4\" (32)	150		4	80	7	130	3 x 0.75 x 3.5	JS-150A	5.5
JS-250	1 1/2\" (40)	250		6	120	10	200	3 x 1 x 6	JS-250A	9
JS-400	2\" (50)	400		8	130	12	240	3 x 1 x 6	JS-400A	10
JS-750	2\" (50)	750	200V	10	200	15.5	380	3 x 1.6 x 10	JS-750A	24
JS-1500H	2\" (50)	1500		15	250	22	450	3 x 2.0 x 10	JS-1500HA	49
JS-1500	3\" (80)	1500	240V	8	500	17	700	3 x 2.0 x 10	JS-1500A	49
JS-2200H	2\" (50)	2200		20	300	27	650	3 x 3.5 x 10	JS-2200HA	51
JS-2200	3\" (80)	2200		10	600	21	850	3 x 3.5 x 10	JS-2200A	51
<b>3 PHASE-JXT SERIES:</b>										
JST-8	2\" (50)	0.75 KW	50 or 60Hz	10	200	15.5	380	4 x 1.6 x 10	JST-8A	21
JST-15H	2\" (50)	1.5KW		15	250	23	450	4 x 1.6 x 10	JST-15HA	26
JST-15	3\" (80)	1.5KW		8	500	17	700	4 x 1.6 x 10	JST-15A	26
JST-22H	2\" (50)	2.2KW		20	300	30	650	4 x 2.0 x 10	JST-22HA	39
JST-22	3\" (80)	2.2KW		10	600	20	850	4 x 2.0 x 10	JST-22A	39
JST-37H	2\" (50)	3.7KW		30	200	35	850	4 x 2.0 x 10	JST-37HA	45
JST-37	3 1/4\" (100)	3.7KW		20	500	31	1050	4 x 2.0 x 10	JSDT-37A	45
JST-55H	3\" (80)	5.5KW		25	600	32	1050	4 x 3.5 x 10	JST-55HA	65
JST-55	4\" (100)	5.5KW		15	1000	22	1800	4 x 3.5 x 10	JST-55A	65
JST-75H	4\" (100)	7.5KW		30	800	40	1600	4 x 5.5 x 10	JST-75HA	75
JST-75	6\" (150)	7.5KW		15	1600	31	2200	4 x 5.5 x 10	JST-75A	75

JST8, T15, T15H  
JST22, T22H, T37, T37H

