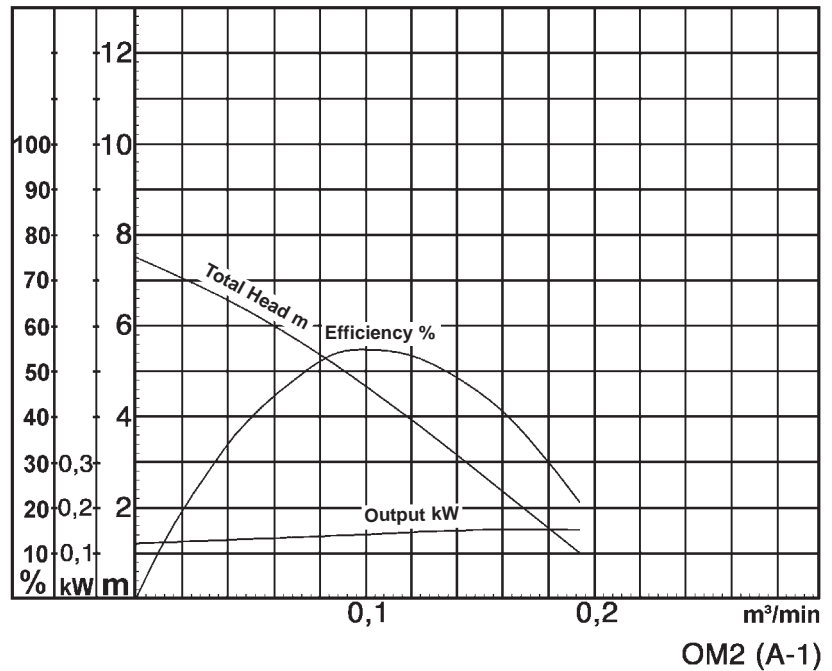
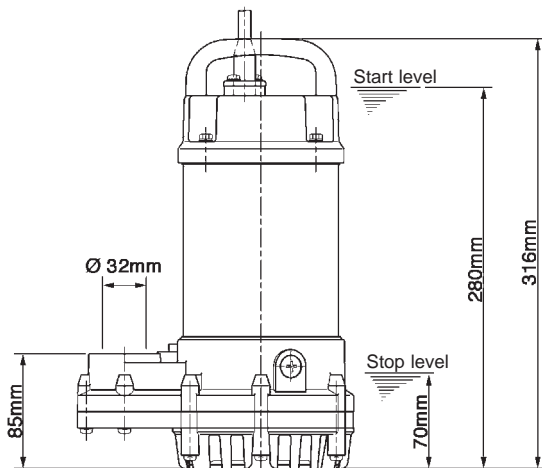
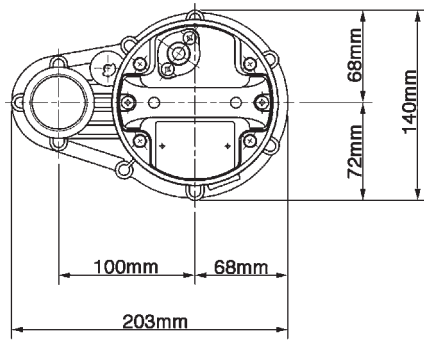


Data Sheet OM2



Classification

Electric submersible pump
 Protection class IP68
 Depth of submersion max. 20m
 Vortex impeller
 Impeller passage 10mm
 Suitable for sewage water, various waste water

Electric Motor

Dry-type submersible induction motor,
 Insulation class E, 2 poles, 2850 r.p.m.
 Capacitor start
 Voltage: 110/230V, 50Hz, 1-phase
 Power input: 0,30kW
 Power output: 0,15kW
 Nominal current: 3,1A/1,6A
 Start current: 8,1A/4,3A

Electric Cable

10m H07RN-F 3Cx1mm²

Motor Protection

Circle thermal protector
 (snap-action bi-metal device)

Shaft Seal

Double mechanical seal in oil bath
 Primary Seal:
 silicon carbide on silicon carbide
 Secondary Seal:
 ceramic on carbon

Bearings

Shielded ball bearings, maintenance-free

Materials

Impeller:	Fibre reinforced plastic
Casing upper:	Fibre reinforced plastic
Casing lower:	Fibre reinforced plastic
Motor frame:	SUS304 (EN-X5CrNi18-10)
Shaft:	SUS403 (EN-X6Cr13)

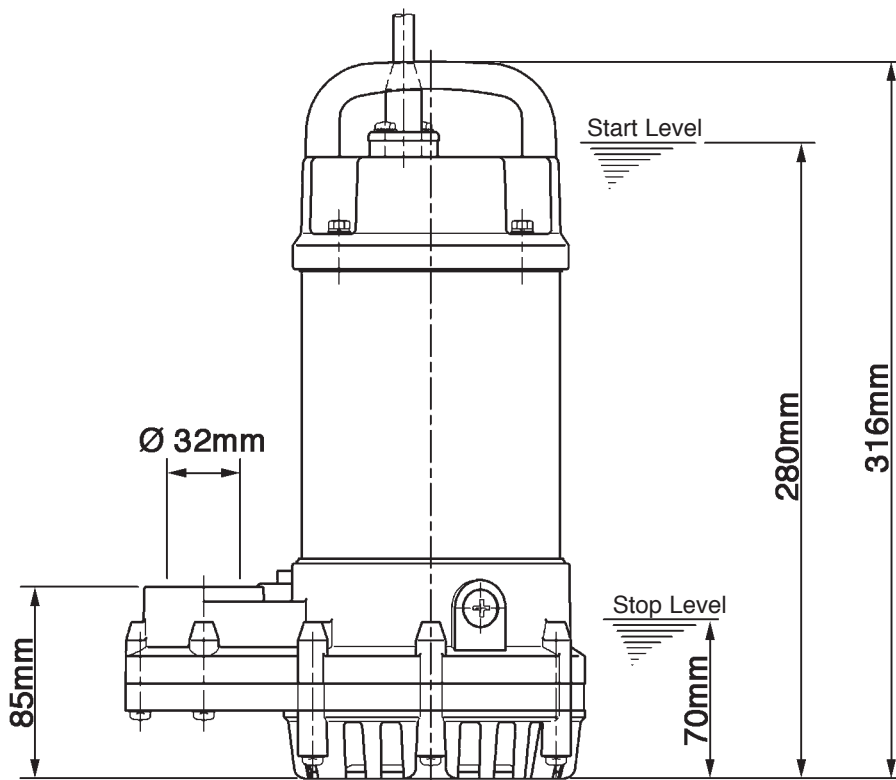
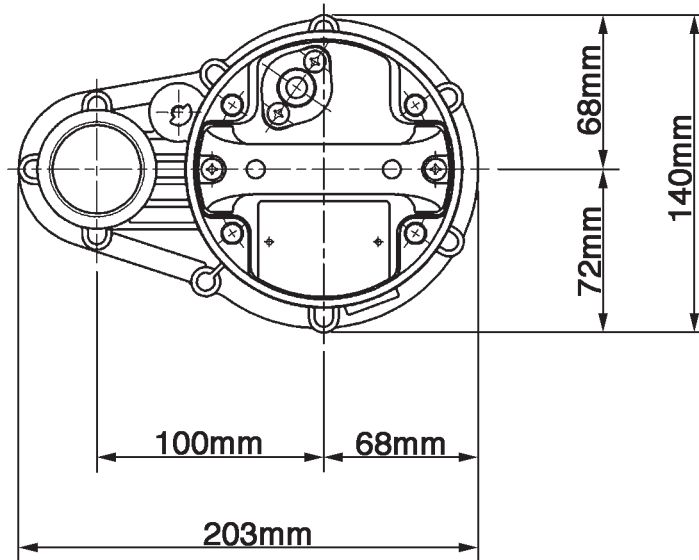
Discharge Connection

1,25" (32mm) screwed-in mating flange

Weight

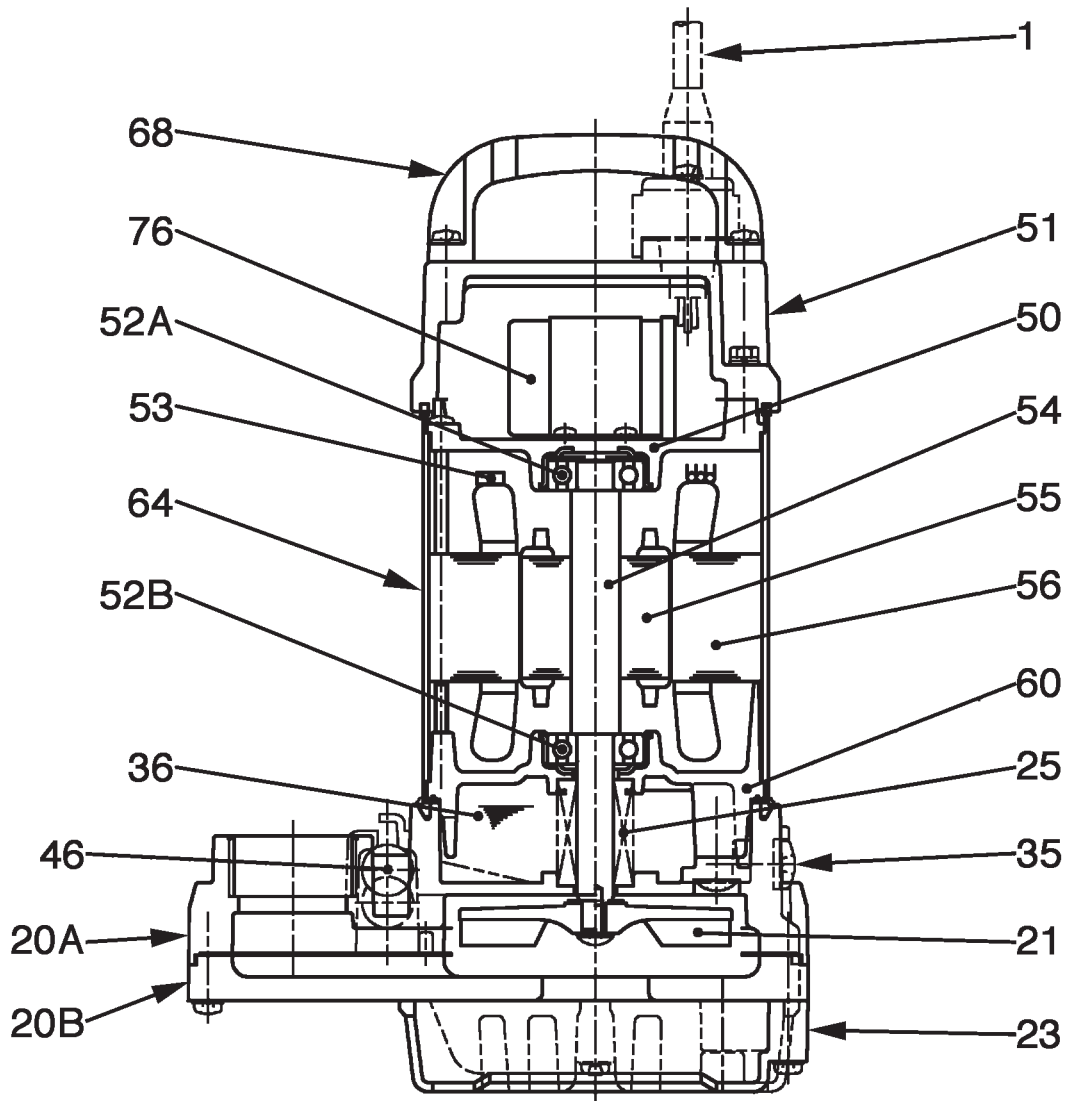
5,9 kg (dry weight of the pump)

Dimensional Drawing OM2



OM2 (A-14080-1)

Sectional Drawing OM2



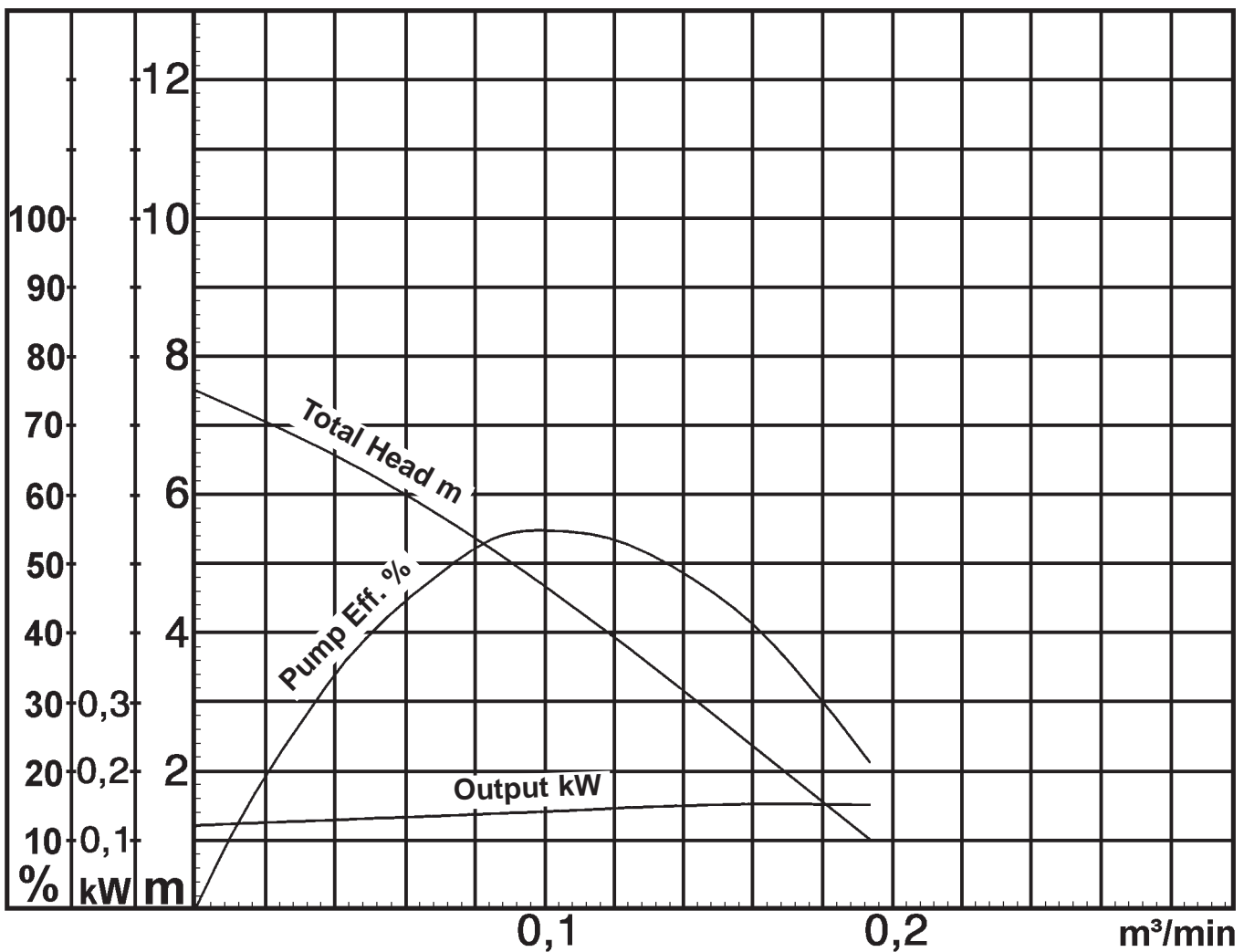
OM2 (A-14081-1)

No.	Description	Qty.	Remarks	No.	Description	Qty.	Remarks
1	Cabtyre Cable	1	H07RN-F	54	Shaft	1	SUS403 (EN-X6Cr13)
20A	Casing Upper Half	1	Plastic W/GF	55	Rotor	1	
20B	Casing Lower Half	1	Plastic W/GF	56	Stator Complete	1	
21	Impeller	1	Plastic W/GF	60	Bearing Housing	1	Aluminium Die Casting
23	Strainer	1	Plastic	64	Motor Frame	1	SUS304 (EN-X5CrNi18-10)
25	Mechanical Seal	1	D-12B	68	Handle	1	Plastic
35	Oil Plug	1	SUS304 (EN-X5CrNi18-10)	76	Capacitor	1	
36	Lubricant		White Oil (ISO VG15)				
46	Air Release Valve	1	Glass Ball				
50	Motor Bracket	1	Aluminium Die Casting				
51	Head Cover	1	Plastic W/GF				
52A	Upper Bearing	1	6201ZZC3				
52B	Lower Bearing	1	6201ZZC3				
53	Motor Protector	1					

Pump Performance Curve

OM2

Discharge Bore	32 mm
Total Head	max. 7,5 m
Capacity	max. 0,195 m ³ /min
Motor Output	0,15 kW
Motor Input	0,30 kW
Phase	1
Voltage	110/230 V
Frequency	50 Hz
Rated Current	3,1/1,6 A
Starting Current	8,1/4,3 A
Poles	2
Revolution	S.S. 2850 r.p.m.
Starting Method	capacitor
Insulation Class	E



OM2 (A-1)