

SUBMERSIBLE SUMP PUMPS FOR DRAINING CLEAR WATER

The DRENOX series pumps are built entirely in AISI 304 stainless steel. Cooling of the motor is via a heat exchange chamber that allows the machine to work for long periods when not completely submerged. Equipped with Ø 32 mm hose adapter. Automatic version equipped with float switch.



Applications

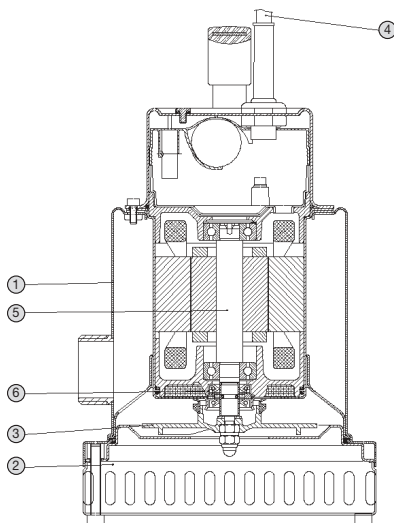
- Drainage of seepage water, pumping of rain water, from a grating or drain, pumping of domestic waste water, drainage of environments, bathing and swimming pools, industrial applications
- Fountains and water features
- Surface irrigation

Motor

- Dry motor with stainless steel casing
- Level of protection IP68
- Class F insulation
- Single phase power supply with capacitor permanently activated and thermal protection built into the motor winding
- Three phase power supply with external protection provided by the user
- Completely insulated cable connection chamber
- Self-lubricating ball bearings
- Speed of rotation 2850 rpm

Usage limitations

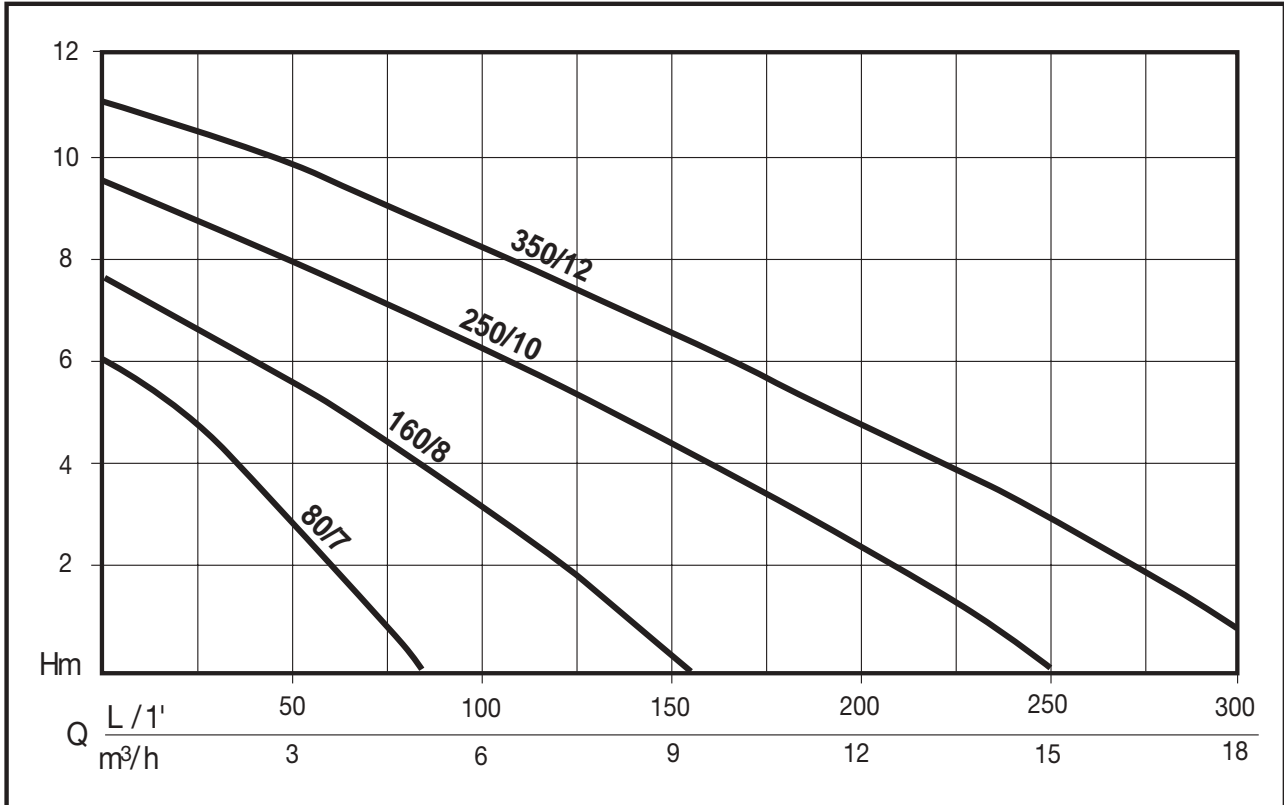
- Type of liquid: partially effluent and dirty clear water, non-aggressive liquids
- Maximum liquid temperature 40°C
- Maximum submersion under the water level 7m
- Minimum drainage level 3 mm for model 80/7, 35 mm for the other models (manual version)
- Free clearance of solids 3 mm for models 80/7, 6 mm for the other models



DESIGN FEATURES

Component	Material
1 Pump body	X 5 CrNi 1810 (AISI 304) Stainless steel
2 Suction grid	X 5 CrNi 1810 (AISI 304) Stainless steel
3 Impeller	X 5 CrNi 1810 (AISI 304) Cast stainless steel
4 Power cable	10 m H07 RN-F with plug
5 Motor shaft	Stainless steel shaft with a ceramic facing at the points of seal wear
6 Seal	Fixed double NBR 70 rubber seal with special sand guard V-ring. Oil chamber for seal lubrication.

TABLE OF HYDRAULIC PERFORMANCE



PUMP PERFORMANCE

CODE	MODEL	Nominal power		Absorbed power		VOLTAGE	Amp.	μF.	Q	Discharge head in meters									
		HP	kW	HP	kW					L/1'	10	40	60	80	120	160	240	300	
										m³/h	0,6	2,4	3,6	4,8	7,2	9,6	14,4	18	
N1031090	DRENOX 80/7	0,3	0,2	0,4	0,3	1 ~ 220 ÷ 240 V	1,3	6,3	Discharge head in meters	5,4	3,3	1,8							
N1031100	DRENOX 80/7 AUT																		
N1031020	DRENOX 160/8	0,55	0,40	0,75	0,55	1 ~ 220 ÷ 240 V	2,4	8		7	5,8	5	4,1	2,2					
N1031060	DRENOX 160/8 AUT																		
N1031030	DRENOX 250/10	0,75	0,55	1,2	0,9	1 ~ 220 ÷ 240 V	4,5	10		9,4	8,5	7,6	7,2	5,1	4,0	1			
N1031070	DRENOX 250/10 AUT																		
N1031040	DRENOX 350/12	1,1	0,8	1,6	1,2	1 ~ 220 ÷ 240 V	5,1	16	10,5	10	9,5	9	7,7	6,5	3,4	1			
N1031080	DRENOX 350/12 AUT																		
N1031110	DRENOX 350/12 T	1,1	0,8	1,6	1,2	3 ~ 400 V	2		10,5	10	9,5	9	7,7	6,5	3,4	1			

Automatic version equipped with float switch